

# VAX 1/2 C

## VALUE Tap Range 5412 Cross Top Basin Taps Chrome



### Features:

- Metal back nuts for added durability
- Metal handles
- Chrome plated to BS EN 248

Bristan "VAX 1/2 C" Cross Top Basin Taps with cross heads, 1/2" BSP threaded inlet tails and compression valves. Product is WRAS Approved with a 5 year warranty. Manufacturer: Bristan Group Limited. Contact Details: [contractenquiry@bristan.com](mailto:contractenquiry@bristan.com)

### Product Certifications:



WRAS Cert. Number: 2007904  
WRAS Expiry Date: 31/07/2025



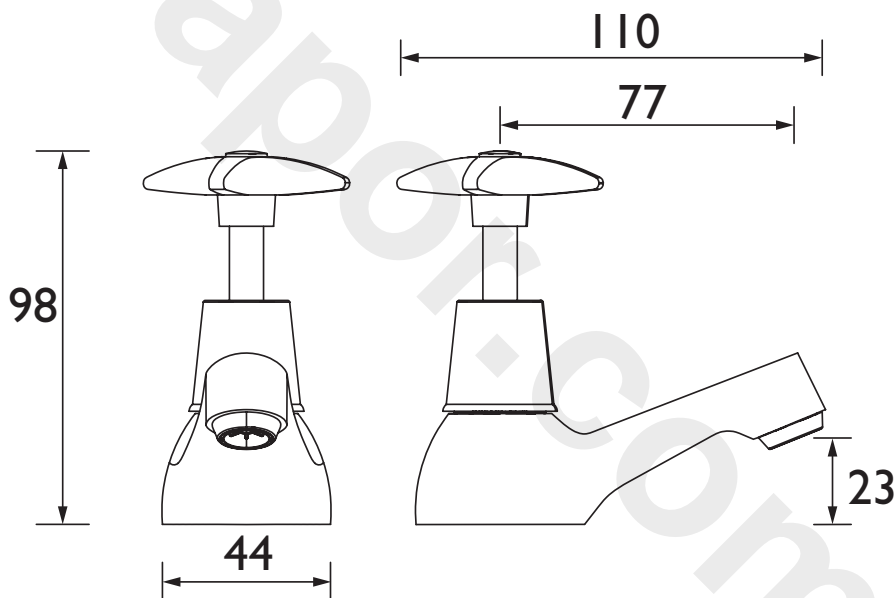
For more products, visit our website:  
<http://www.bristan.com>



### Specification

<b>Product Type:</b>	Bathroom Taps
<b>Main Construction Material:</b>	Brass
<b>Mount Type:</b>	Deck Mounted
<b>Handle Type:</b>	Cross Head
<b>Connection Inlet:</b>	1/2" BSP
<b>Connection Outlet:</b>	M16 Aerator
<b>Number of Tap Holes:</b>	2
<b>Valve/Cartridge Type:</b>	1/2" Standard Valve
<b>Plumbing System Requirements:</b>	Suitable for all plumbing systems
<b>Minimum Dynamic Pressure:</b>	0.2 bar
<b>Maximum Dynamic Pressure:</b>	5.0 bar
<b>Maximum Hot Water Temperature: °C</b>	65
<b>Maximum Static Pressure: (bar)</b>	10
<b>Flow Type:</b>	Single Flow
<b>Isolation Included:</b>	No
<b>Check Valve Included:</b>	No

### Dimensions (measurements in mm)



### Flow Rates (l/min)

System Pressure (bar)	0.2	0.5	1	2	3	5
VAX 1/2 C	14	25.6	31	44.3	62.6	70

## TECHNICAL DATA SHEET



# BRISTAN

D8